

P
Paulmann

Safety Instructions

1, 2, 3, 4, 5, 6, 7, 10, 12, 13, 15, 16, 19, 20, 21, 22, 24, 28, 33, 34

31.08.2021
ENERGY LABEL 874/2012
A++ - A

01.09.2021
ENERGY LABEL 2019/2015
G

www.paulmann.com/symbols

Paulmann Licht GmbH
Quezinger Feld 2
31832 Springe
Germany
www.paulmann.com

Art.-Nr.: 934.82/83 934.84/85 934.88/89 934.90/86 934.87/91 934.92 944.72
(+MA326) PSU 07/22

934.82/934.84 934.83/934.85/934.88/944.72

IP23

1x 1x Incl. 3x 3x Incl.

934.89 934.90 934.86

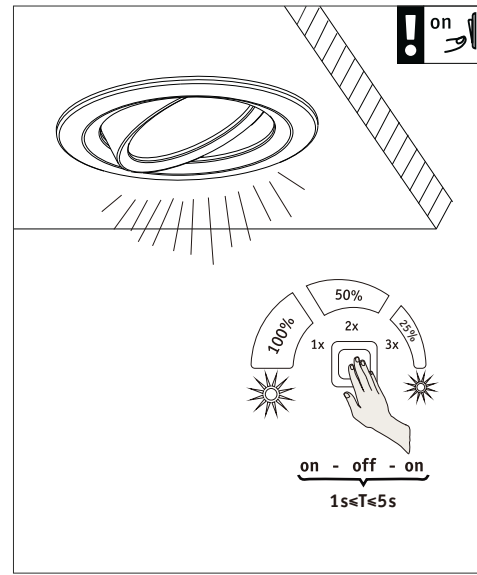
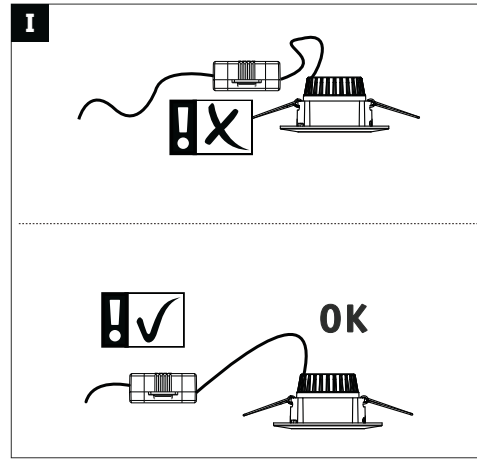
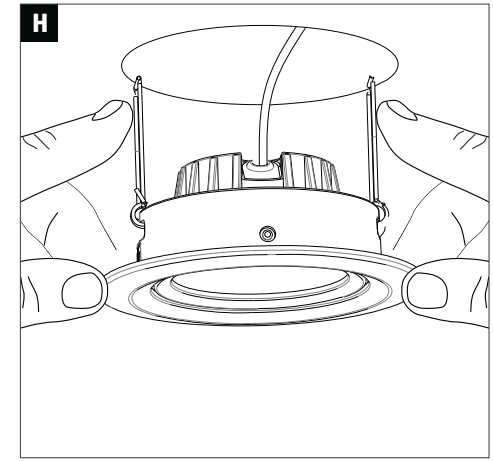
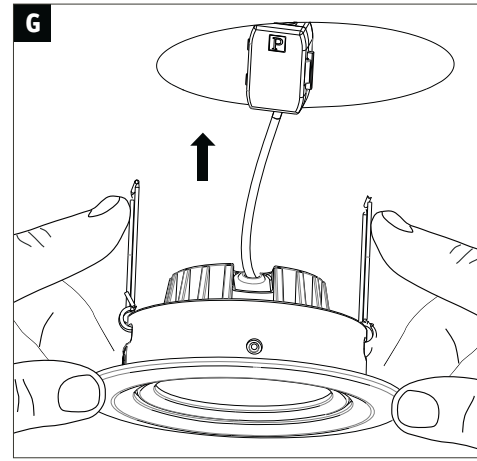
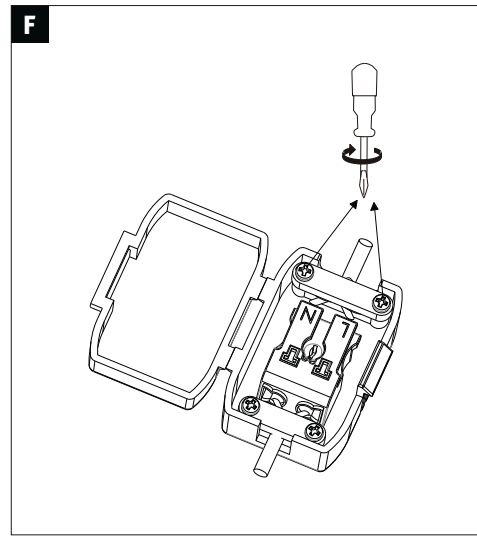
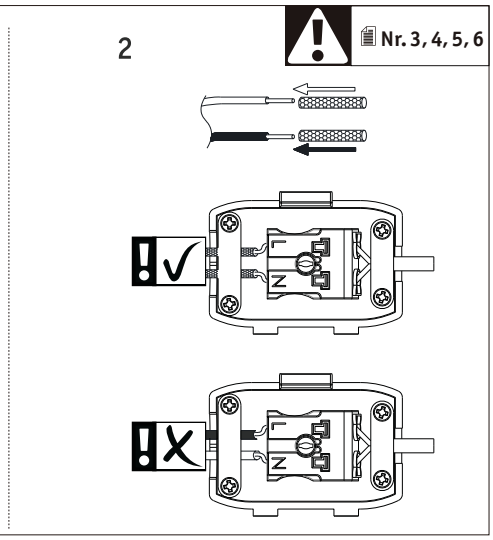
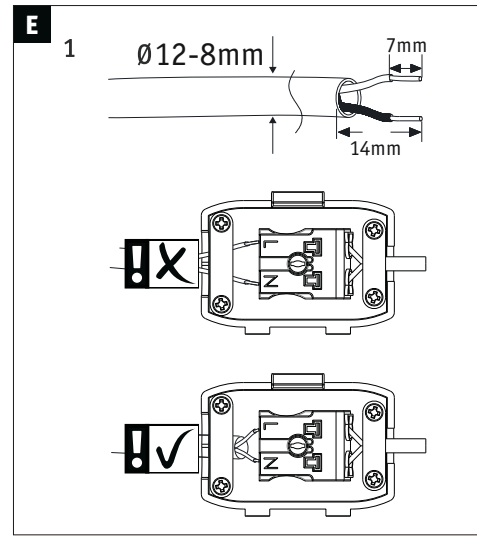
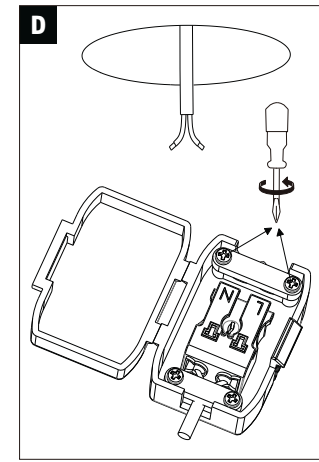
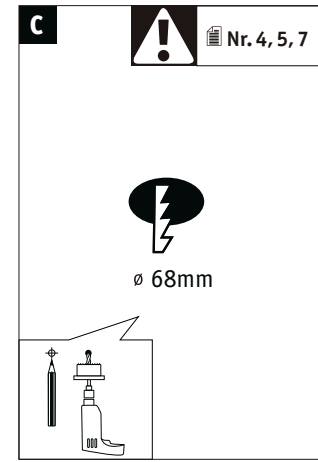
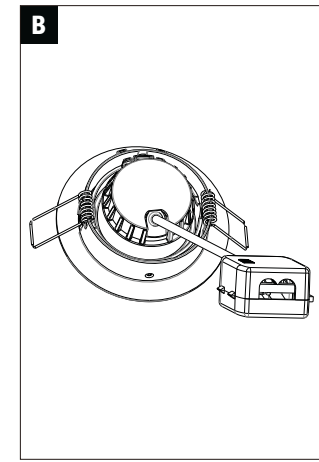
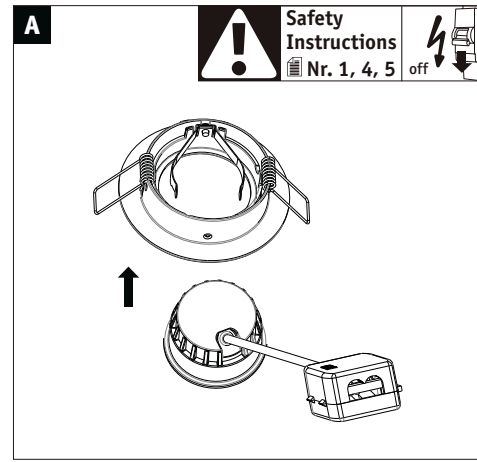
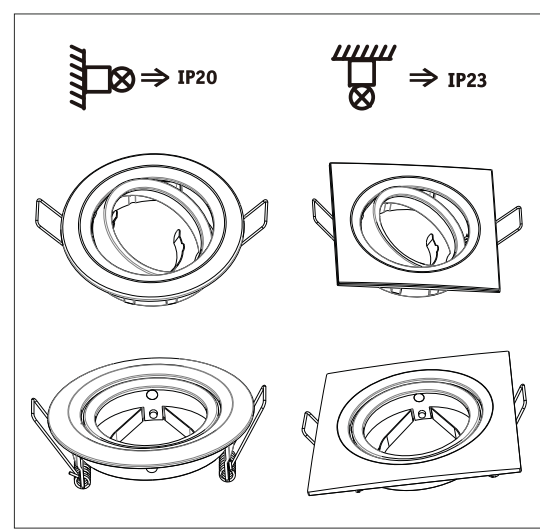
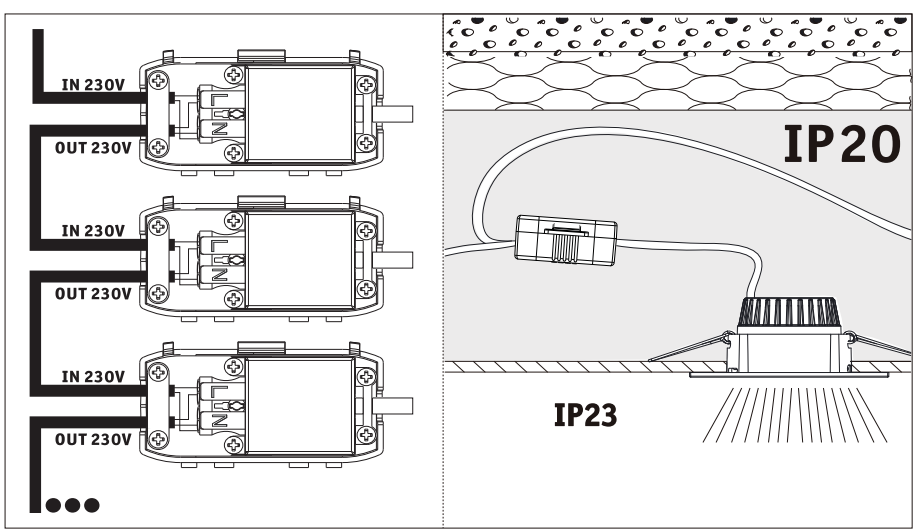
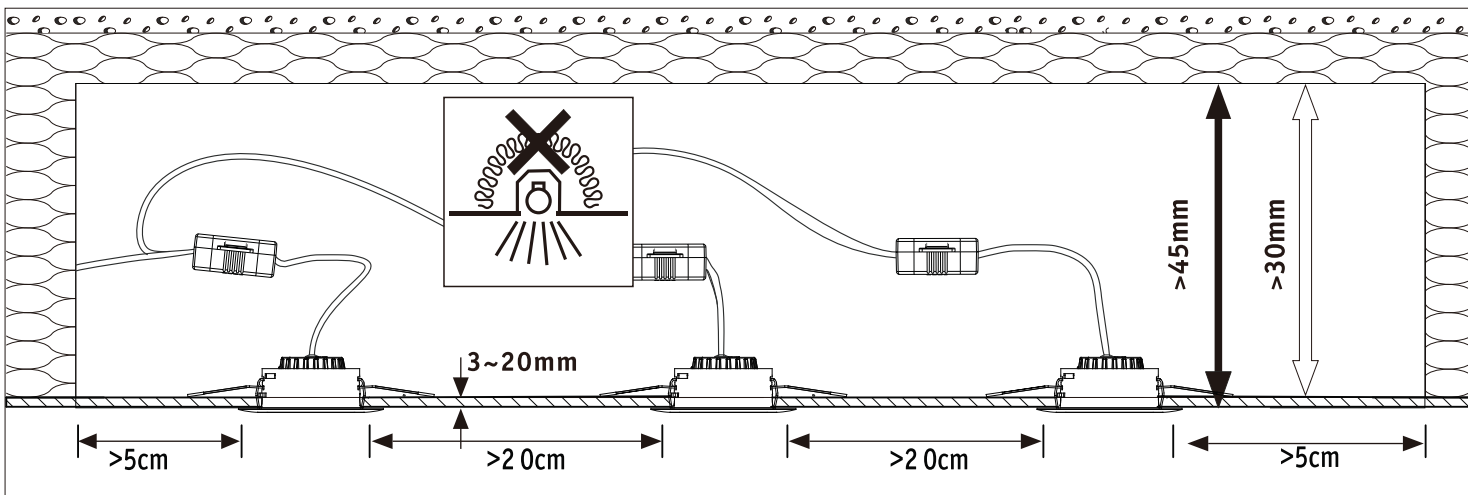
IP23

1x 1x Incl. 3x 3x Incl. 1x 1x Incl.

934.87 934.91 934.92

IP23

3x 3x Incl. 1x 1x Incl. 3x 3x Incl.



ENERGY Paulmann

470 lm
6W
230V

warm white
2700K

CRI/Ra ≥ 85

ON OFF >50.000

Lumen 60% 2 s

≈ 30x 1.000h

dimmable

ø 51 mm

6 kWh/1000h

2019/2015

CE UK CA

390093070

